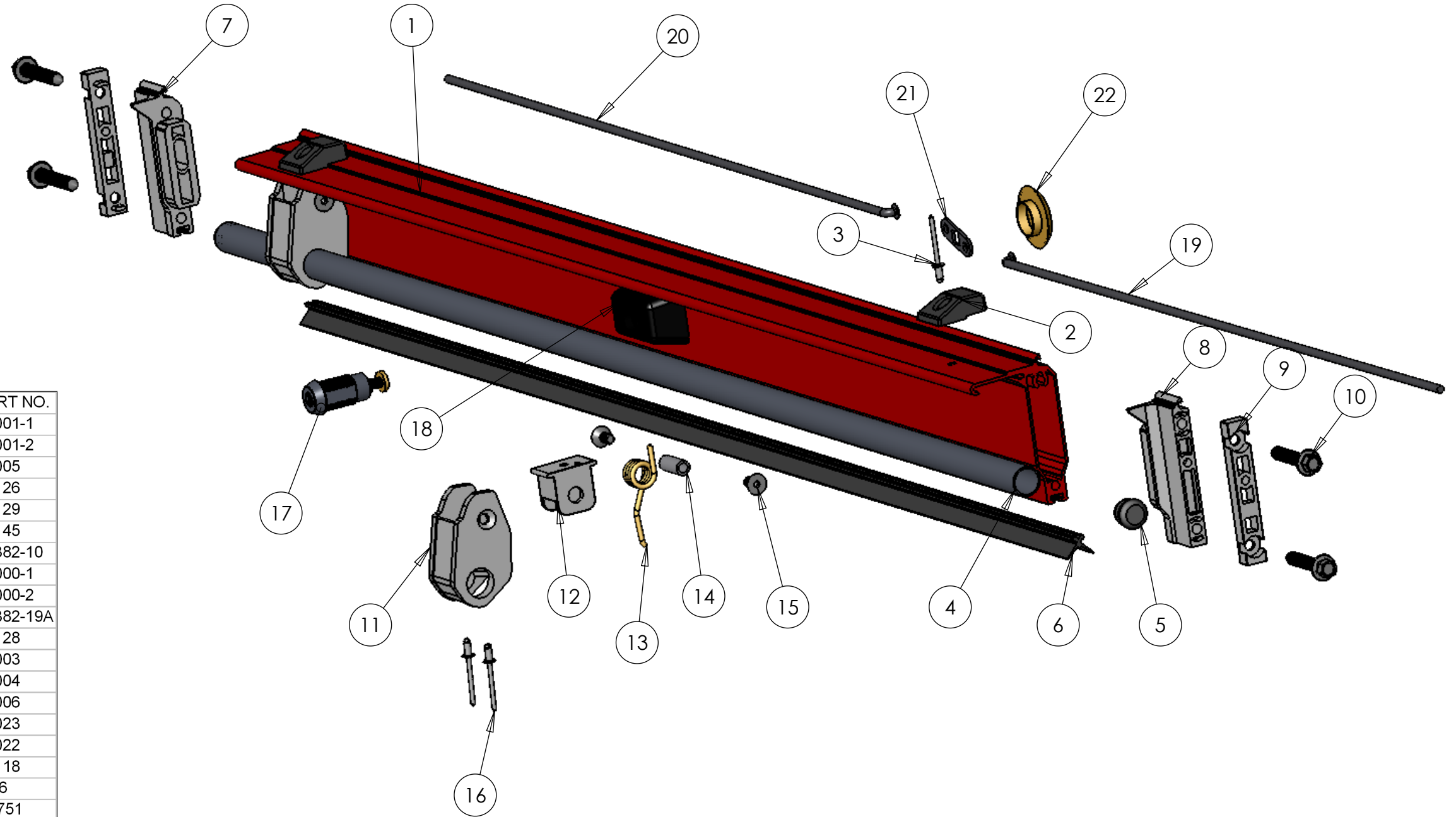


The door serial number is required to order replacement parts.



ITEM	DESCRIPTION	PART NO.
1	HANDLE EXTRUSION ; SATIN FINISH	D1001-1
	HANDLE EXTRUSION ; MILL FINISH	D1001-2
2	HANDLE BUMPER	D1005
3	HANDLE BUMPER RIVET	D1126
4	S.S. HANDLE BAR ; BRUSHED FINISH	D1129
5	HANDLE BAR PLUG	D1145
6	BOTTOM SEAL	K3382-10
7	HANDLE END CAP ; LEFT	D1000-1
8	HANDLE END CAP ; RIGHT	D1000-2
9	END CAP GUIDE ; BOTH	K3382-19A
10	#14 X 2" SLOTTED HEX WASHER HEAD	D1128
11	HANDLE MAIN BODY	D1003
12	HANDLE BRACKET	D1004
13	HANDLE SPRING	D1006
14	HANDLE AXLE	D1023
15	AXLE SCREW	D1022
16	HANDLE MAIN BODY RIVET	D1118
17	MANUAL LOCK ASSEMBLY KEYED	J236
	MANUAL LOCK ASSEMBLY KEYED	CH751
	MANUAL LOCK ASSEMBLY KEYED	CH1250
18	LOCK SPACER	K3382-17
19	LOCK ROD ASSEMBLY ; RIGHT	CALL
20	LOCK ROD ASSEMBLY ; LEFT	CALL
21	LOCK RING	D1073
22	LOCK PLUG ; LARGE	9750K55

REV.	DESCRIPTION	BY	DATE

DIMENSIONAL TOLERANCES
UNLESS OTHERWISE SPECIFIED
DIMENSIONS ARE IN INCHES

TOLERANCE ON

DECIMALS
.00 ±.0300 ANGULAR ± 0°30'
.000 ±.0050 FRACTIONS ± 1/32

THIS MATERIAL IS THE EXCLUSIVE PROPERTY OF GORTRAC, INC. THIS MATERIAL AND INFORMATION ILLUSTRATED OR CONTAINED HEREIN MAY NOT BE PRODUCED, COPIED, USED OR TRANSMITTED IN WHOLE OR IN PART IN ANY WAY WITHOUT THE PRIOR WRITTEN CONSENT OF GORTRAC, INC.

THIRD ANGLE PROJECTION

GORTRAC DIVISION
of A & A Mfg. Co., Inc.
386 East State Road 2
Valparaiso, IN 46383
Telephone (219) 465-1898
Fax (219) 462-1062

JOB CARD NO. - FINISH -
MATERIAL -

TITLE HANDLE ASSEMBLY		SHT. -	
PART NUMBER -		REV -	
CHK'D -	SIZE B	DWG. NO. D1266	REV -
DATE 3/7/07	DRAWN M.KOSCHAL		