

GORTITE® POWERED ROLL-UP DOOR

Automate Access to Vehicle Compartments & Cargo Areas

Dynatect draws on decades of experience in doors and automation to offer a powered roll-up door solution, incorporating features such as:

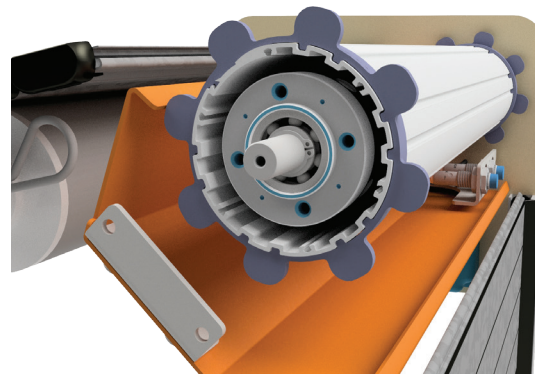
- Operator safety
- Door reliability
- Minimal doorway obstructions
- Simplified wiring
- Strong security, power-loss bypass options
- Scalable controller from hardwire inputs to automotive protocols



Ideal for rear doors or side doors on step vans

Safest Mechanical & Electronic Design

- Three simultaneous modes of motion control...
 - Overcurrent sensing for obstruction detection and auto-reverse
 - Hardwire door sensors for open and close
 - Door travel time-out limits
- Anti-pinch cover shrouds the drive mechanism
- Positively driven open and close which keep doors from drifting closed when partially opened or on a hill
- Heat management to support (5) open/close cycles every minute



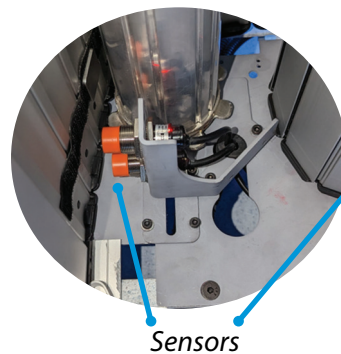
Anti-pinch cover shown in orange

SAFETY - SECURITY - SPEED - COMPATIBILITY

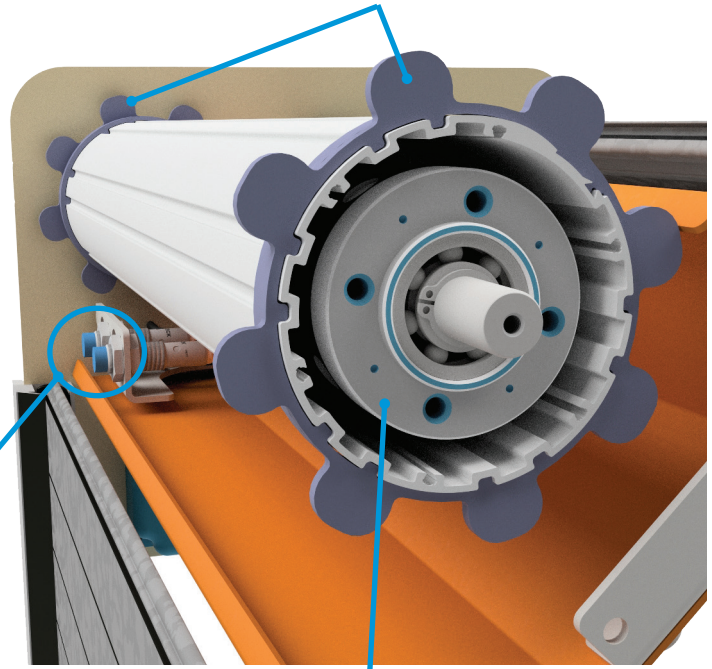
GORTITE® POWERED ROLL-UP DOOR

Self-Contained Powered Door Solution

- Motor/gearbox fits into existing idler tube envelope – no increased footprint
- Integrated end-of-travel sensors without wiring down the leg of the door
- Powered auto-lock located in header, without wiring down the leg of the door, eliminating the trip hazard of bottom mounted locks



Door slats are positively driven open and closed via cogs on both sides



Motor/gearbox contained inside location of traditional idler roller tube

Security and Power-Loss Protection

- Low battery cutoff prevents high-current draw or erratic operation
- Manual release can be activated from inside the compartment if power is lost
- Optional manual release from outside the compartment via keyed interface (shown on next page)

Interior manual clutch bypass for door release on power loss



Dynatect's Powered Roll-Up Door design is patented.

Most Versatile Controller

- Fast travel: ~1 foot/second
- Designed for operating environments
-40° F to +140° F
- Included communications:
 - Hardwire I/O (door-open/door-close)
 - FOB RF remote control



*Optional keyed external manual
override*

*Optional external manual override
via keyed interface*



Visit [dynatect.com](https://www.dynatect.com) for
an overview video

HOW TO SPECIFY

SO, HOW DO I SPECIFY GORTITE® POWERED DOORS? IT'S EASY!

- Roll-up doors shall be Gortite brand manufactured by Dynatect Manufacturing, Inc.
- Roll-up doors to be constructed of double-sided aluminum extrusions. The extrusions are to be 1-3/8" tall and 3/8" thick with satin anodized finish or painted to match truck body.
- A flexible extrusion shall be installed between each slat to ensure a weather-tight seal
- Aluminum extrusions shall be individually replaceable without disassembling the entire door by removing push out clips on each end
- Side channels for the door to ride in shall be provided with seals to prevent dirt and moisture from entering compartment. A single piece top drip rail shall be provided with a seal to prevent dirt and moisture from entering the compartment when the door is fully closed. Bottom of door will also be provided with a seal.
- All non-metallic parts to be glass-filled nylon
- Lift bar shall be made of stainless steel
- The door shall be capable of operating in temperatures of -40° F to 180° F

- Drive system shall feature three simultaneous modes of motion control
- Mechanical drive system shall employ a positively driven mechanism to prevent doors from drifting closed on inclines or when partially open
- Motor/gearbox to fit into existing idler tube envelope
- Vendor shall have at minimum twenty (20) years of installed and operating roll up door assemblies in field applications

OUR LIFETIME ROLL-UP DOOR WARRANTY

The roll-up doors have the following warranties to be free from defects in materials and workmanship:

- Lifetime for the spring-loaded roller
- 3 years for all other parts
- 5 years for optional painted finish (free from peeling or blistering)
- 1 year for optional electronic equipment
- Warranties are from date of shipment and apply to the original owner
- Damage due to accidents or external causes are not warranted

NEED A DOOR SOLUTION WITH CUSTOM FEATURES?

We offer full engineering and design support to integrate into your vehicle with custom features, options and accessories.

DYNATECT IS AN ESTABLISHED HIGH-VOLUME TIER 1 AUTOMOTIVE SUPPLIER

DYNATECT AUTOMOTIVE EXPERIENCE/FEATURES INCLUDE:

- Automotive water management compliance
- Automotive brake/squeak/rattle (BSR) compliance
- Optimized ergonomics to minimize repetitive motions and operator strain
- Customizable locks and power-lock options (including signal duration and power draw)
- Customizable latching options
- Motorized door options with key-fob control integrated into BCM
- OEM curved door frames and doors that follow the interior vehicle contour
- OEM frame mountings that facilitate retrofit to swing-out door mounting points
- OEM composite beauty covers

CONNECT

GLOBAL HEADQUARTERS

2300 South Calhoun Road
New Berlin, WI 53151
USA

phone: +1 262 786-1500
sales@dynatect.com

DYNATECT.COM