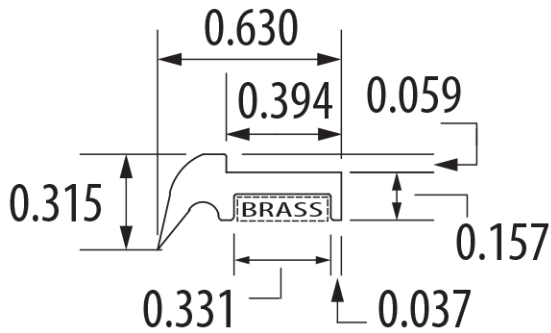


## TSA-M16 WIPER & BRASS

### DYNATECT WAY WIPERS



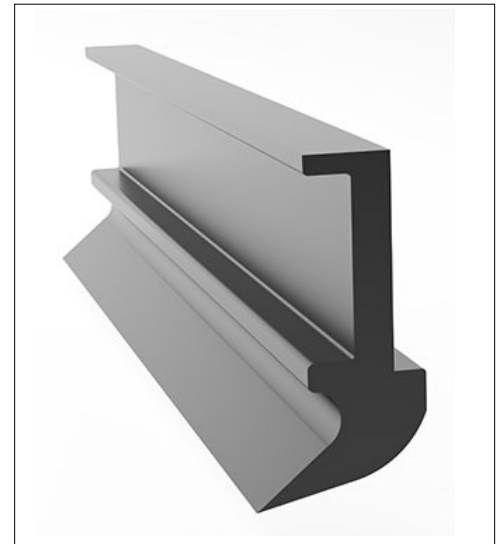
Brass bar recommended, sold separately

**TSA-M16 NITRILE WIPER ONLY PN0484330**

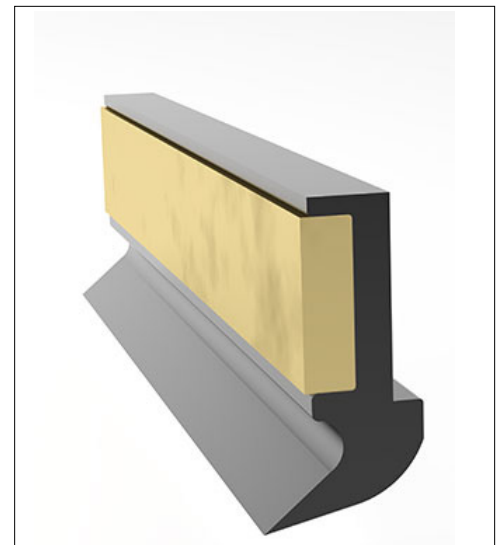
#### NOTE:

PN0484355 = 2.5mm Thick X 8mm Wide  
BRASS BAR (sold in 1M or 39.37" lengths)

PN0484356 = 3.0mm Thick X 8mm Wide  
BRASS BAR (sold in 1M or 39.37" lengths)



**TSA-M16 WIPER**



**TSA-M16 WIPER W/  
BRASS**  
(Purchased as separate  
units)