

GORTITE[®] VF (VERTICAL FABRIC) DOOR | QUOTE REQUEST FORM

Date _____ Address _____
 Company Name _____ City _____
 Contact Name _____ State/Prov. _____
 Email _____ Country _____
 Phone: _____ Zip/Postal Code _____

1. APPLICATION INFORMATION

New Design Replacement
 Door Application/Purpose: _____

Quantity Required: _____ Date Needed: _____
 Do you require a single turnkey quote for product and installation with our partner for US and Canada:
 Yes No

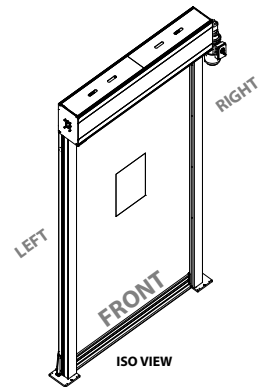
Door Environment

Exposure to: Weld Spatter Coolant Oil Grit / Airborne Debris
 Describe Environmental Conditions: _____
 _____ Ambient Temperature (continuous)*
 _____ Max Temperature (temporary)*
 _____ Min Temperature (temporary)*

*Specify all temperatures in Fahrenheit or Celsius

Door Operation

Cycle Frequency (Both required)
 _____ cycles per 24 hours
 _____ cycles per minute



2. DOOR SPECIFICATIONS

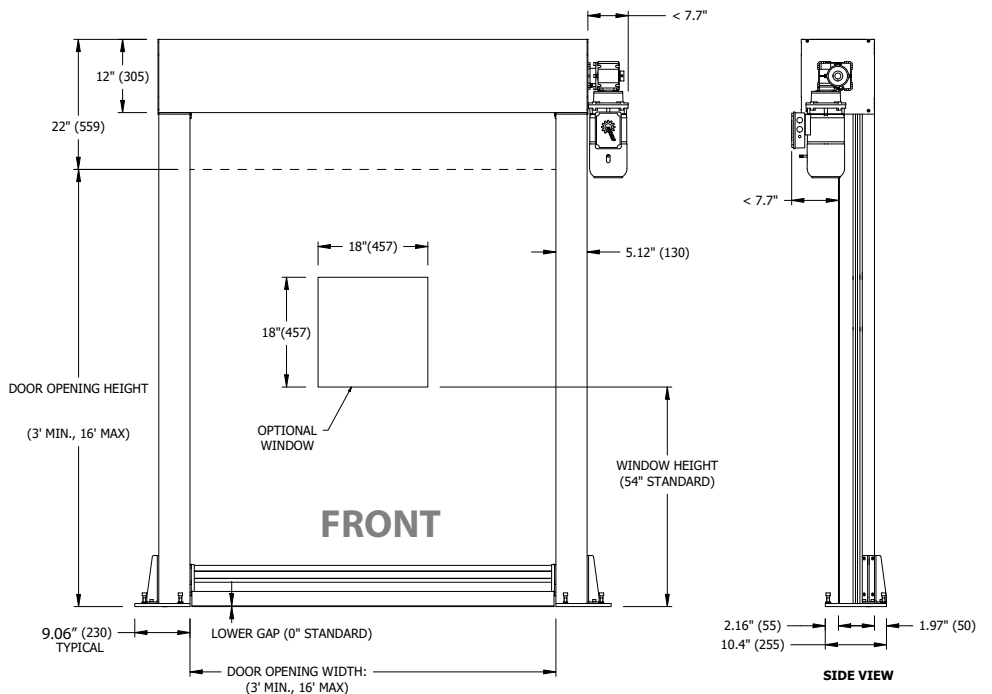
Door Size

(Specify all dimensions in whole inches)

_____ Door opening width ("DW")
 _____ Door opening height ("DH")
 _____ Lower Gap ("LG")

Door Mounting Options

- Floor mounted (standard)
- Adapt to wall base plate
- Adapt to wall flashing
(requires adapt to wall base plate)



GORTITE[®] VF (VERTICAL FABRIC) DOOR | QUOTE REQUEST FORM

3. CURTAIN

Window Options (Specify all dimensions in whole inches)

- None (standard)
- 18" x 18" Window*

*Specify Window Quantity: _____

*Specify Window Height ("WH") For reference, see above diagram

- 54" (standard)
- Other: _____

Window Color (if chosen)

- Clear (standard)
- Bronze (compliant with ISO 25980, EN1598, AWS F2.3)
- Red (compliant with ISO 25980, EN 1598, AWS F2.3)

Header Bottom Plate

Note: For door opening heights 7 feet and under, bottom plate is required

Optional: For door opening heights over 7 feet, do you want a header bottom plate?

- Yes
- No

Header Curtain Brush

Note: Requires header bottom plate option regardless of opening height.

- None (standard)
- Debris brush at top of curtain

4. DRIVE TRAIN

Motor Location:

- Left
- Right

Motor Type and Orientation:

- Right Angle - Down
- Right Angle - Up
- Right Angle - Front
- Right Angle - Back
- Inline - Front*
- Inline - Back*
- Inline - Top*

*subject to additional cost

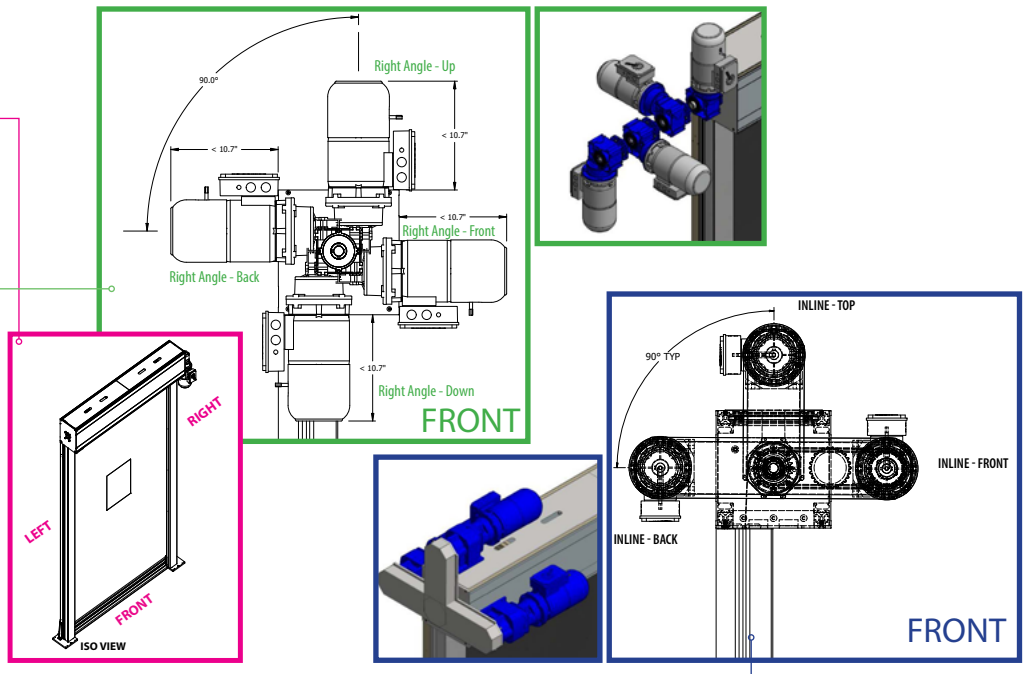
Voltage:

- 230V, 3PH, 60HZ
- 460V, 3PH, 60HZ
- 400V, 3PH, 50HZ
- 575V, 3PH, 60HZ

Motor Cable Length:

Quantity 2, always sold as a pair (motor power, brake control).

- None (standard)
- 3m
- 5m
- 10m
- 15m



GORTITE[®] VF (VERTICAL FABRIC) DOOR | QUOTE REQUEST FORM

5. CONTROL SYSTEM OFFERINGS

- Standard: Motor and 2 Travel-End Sensors Only**
- Integrator Control Box
- Variable Speed Control Box

**If standard option is selected:

Do you plan to use a VFD to control the motor? Yes No

Control Box Cable Length

Internal control cables terminated at passive block. Optional cables for wiring sensors/switches from door to control box can be supplied.

- None (standard) 3m 5m 10m 15m

6. SENSOR CONNECTIONS

Passive block is included with Integrator Control Box and Variable Speed Control Box. It is an option with the standard offering.

- Sensors terminated at door frame (standard)
- Sensors terminated at passive block (option) - the door-hold down switch is not terminated at the passive block

7. DOOR OBSTRUCTION SAFETY SENSING OPTIONS

Travel End Sensors

Upper and lower proximity switches are included.

LiDAR Scanner

- None (standard)
- SICK¹ brand (not rated)
- SICK¹ brand (safety rated PLe) → Note: Customer must provide their own logic. Not compatible with Dynatect Control Options.

Fixed Photo Eye(s)

- None (standard) 1 pair 2 pair

Fixed Light Curtain

- None (standard) 1 pair

8. DOOR CLOSED SAFETY OPTIONS

Door Closed Safety Interlock Switch

- None (standard)
- Safety-rated RFID**

**Interlock Safety Relay (if safety interlock switch specified)

- None (standard)
- SICK¹ brand safety controller (shipped loose)
- SICK¹ brand safety controller (mounted in control box)

Door Hold-Down Switch

- None (standard)
- Euchner² brand door hold-down switch

¹SICK is a registered trademark of SICK, Inc.

²Euchner is a registered trademark of EUCHNER GmbH + Co. KG