

# ALUMINUM SLAT LASER PROTECTION DOOR | QUOTE REQUEST FORM

Date \_\_\_\_\_ Address \_\_\_\_\_  
 Company Name \_\_\_\_\_ City \_\_\_\_\_  
 Contact Name \_\_\_\_\_ State/Prov. \_\_\_\_\_  
 Email \_\_\_\_\_ Country \_\_\_\_\_  
 Telephone \_\_\_\_\_ Zip/Postal Code \_\_\_\_\_

## 1. APPLICATION INFORMATION

Please note: Venting will be required for enclosed room / vacuum conditions.

New Design  Replacement

Door Application/Purpose: \_\_\_\_\_

Quantity Required: \_\_\_\_\_ Date Needed: \_\_\_\_\_

Describe Environmental Conditions: \_\_\_\_\_

\_\_\_\_\_ Ambient Temperature (continuous)

\_\_\_\_\_ Max Temperature (temporary)

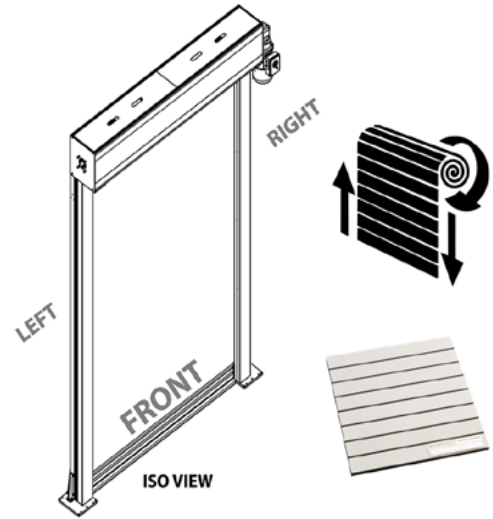
\_\_\_\_\_ Min Temperature (temporary)

### Door Operation

Cycle Frequency (please fill in both)

\_\_\_\_\_ cycles per 24 hours

\_\_\_\_\_ cycles per minute



## 2. DOOR

### Door Size (please specify all dimensions in whole inches)

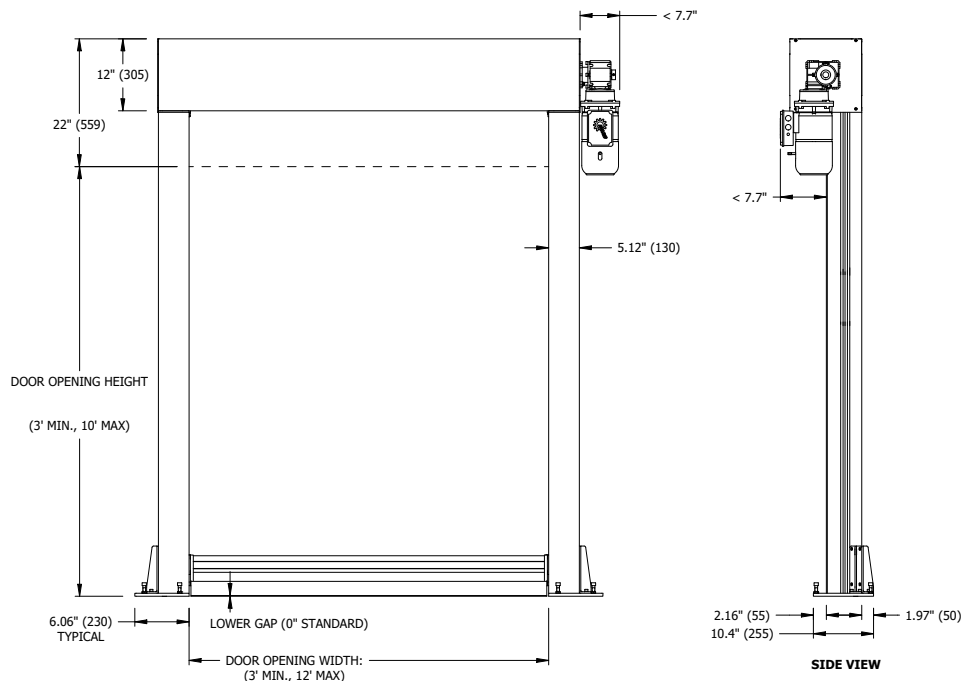
\_\_\_\_\_ Door opening width ("DW")

\_\_\_\_\_ Door opening height ("DH")

\_\_\_\_\_ Lower Gap ("LG")

### Door Mounting Options

- Floor mounted (standard)
- Adapt to wall base plate
- Adapt to wall flashing (requires adapt to wall base plate)



### 3. DRIVE TRAIN

**Motor Location:**

- Left
- Right

**Motor Type and Orientation:**

- Right Angle - Down
- Right Angle - Up
- Right Angle - Front
- Right Angle - Back
- Inline - Front\*
- Inline - Back\*
- Inline - Top\*

*\*subject to additional cost*

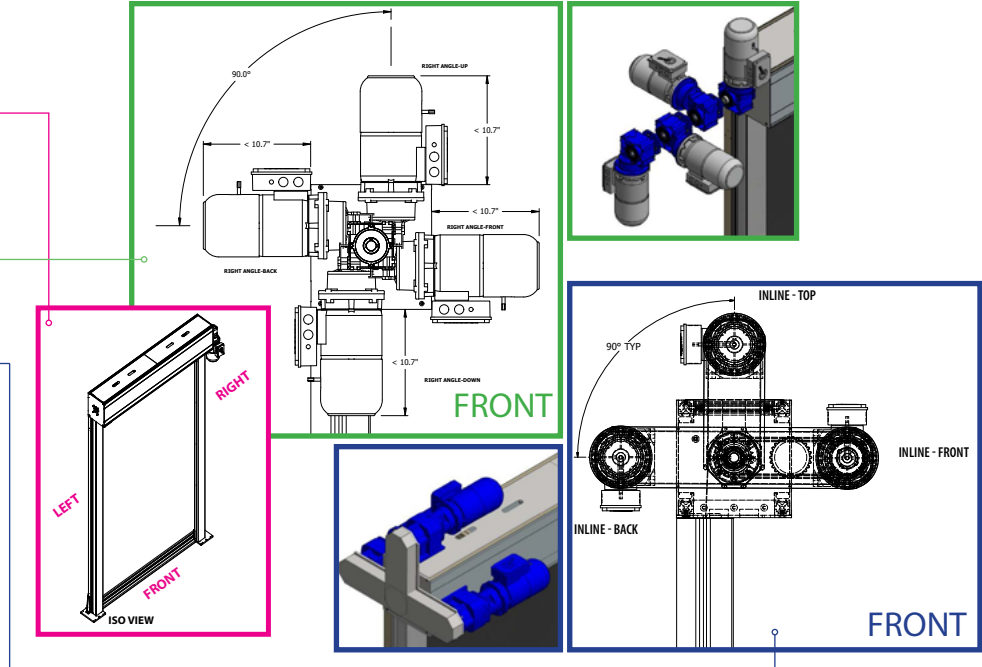
**Voltage:**

- 230V, 3PH, 60HZ
- 460V, 3PH, 60HZ
- 400V, 3PH, 50HZ
- 575V, 3PH, 60HZ

**Motor Cable Length:**

*Quantity 2, always sold as a pair (motor power, brake control).*

- None (standard)
- 3m
- 5m
- 10m
- 15m



### 4. CONTROL SYSTEM OFFERINGS

*Visit website for more detail descriptions.*

- Motor and 2 Travel-End Sensors Only (standard)
  - Do you plan to use a VFD to control the motor?
  - (If you selected this control option)  Yes  No
- Integrator Control Box
- Variable Speed Controller

**Control Box Cable Length**

*Internal control cables terminated at passive block. Optional cables for wiring sensors/switches from door to control box can be supplied.*

- None (standard)
- 3m
- 5m
- 10m
- 15m

### 5. SENSOR CONNECTIONS

*Passive block is included with Integrator Control Box and Variable Speed Control Box. It is an option with the standard offering.*

- Sensors terminated at door frame (standard)
- Sensors terminated at passive block (option) - *the door-hold down switch is not terminated at the passive block*

### 6. DOOR OBSTRUCTION SAFETY SENSING OPTIONS

**Travel End Sensors**

*Upper and lower proximity switches are included.*

**LiDAR Scanner**

- None (standard)
- SICK<sup>1</sup> brand (not rated)
- SICK<sup>1</sup> brand (safety rated PLe) → *Note: customer must provide their own logic. Not compatible with Dynatect Control Options.*

**Fixed Photo Eye(s)**

- None (standard)
- 1 pair
- 2 pair

**Fixed Light Curtain**

- None (standard)
- 1 pair

### 7. DOOR CLOSED SAFETY OPTIONS

**Door Closed Safety Interlock Switch**

- None (standard)
- SICK<sup>1</sup> brand RFID

**Door Hold-Down Switch**

- None (standard)
- Euchner<sup>2</sup> brand door hold-down switch

**Interlock Safety Relay** (if safety interlock switch specified)

- None (standard)
- SICK<sup>1</sup> brand safety controller (shipped loose)
- SICK<sup>1</sup> brand safety controller (mounted in control box)

<sup>1</sup>SICK is a registered trademark of SICK, Inc.

<sup>2</sup>Euchner is a registered trademark of EUCHNER GmbH + Co. KG